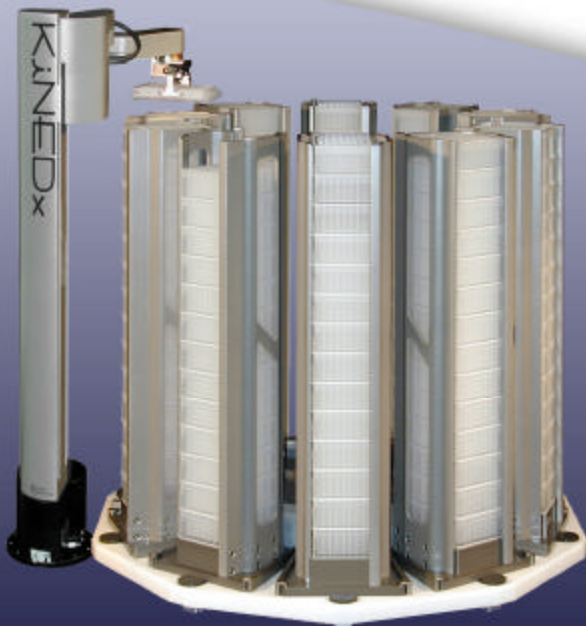


# PLATE DEPOT

## Stack Carousel



*Plate Depot Model: CS-RS-450*



*KINEDx Robot Unloading Plate Depot*

- Bulk Storage of Microplate
- High Capacity Servo'd Carousel
- 300 or 450 Plate Capacity
- Removable FILO Stacks
- Robot Accessible
- Simple Serial Commands

# PLATE DEPOT

**Stack Carousel:** The Plate Depot is a high-capacity storage carousel for use in applications requiring high capacity storage (stacked) of microtiter plates. It holds 10 individual Plate Stacks (portrait orientation) and has a capacity up to 300 or 450 standard microplates.

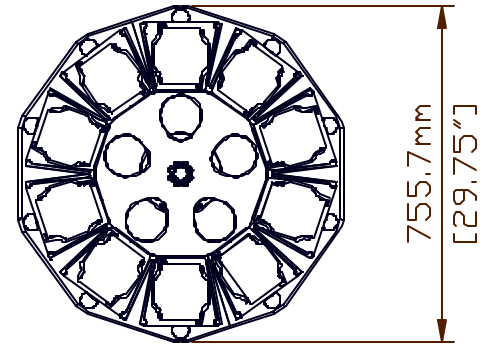
**Removable Stacks:** Plate Stacks are removable and easily click into the carousel base where a multipoint datum registration system ensures repeatable alignment.

**Controller:** No separate controller is required. All electronics reside onboard and a single serial cable connects between the Plate Depot and optional PC. Automatic control is easily accomplished using a small set of serial commands. Teaching is easy using the robot's "array" function.

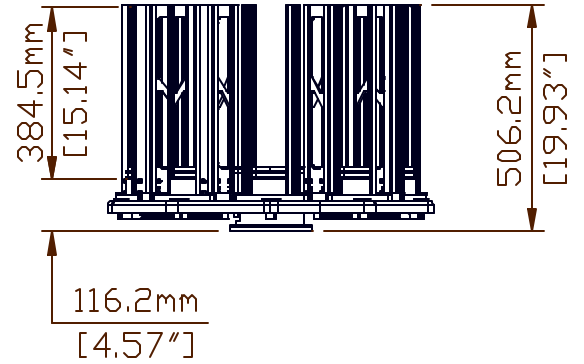
**Drive System:** A single servomotor powers the Plate Depot giving it much of its simplicity and reliability. A harmonic drive gear reducer ensures zero backlash for excellent repeatability.

**Applications:** The Plate Depot is designed for high throughput applications requiring storage and retrieval of bulk microtiter plates. This is often a requirement for protocols specifying sequential processing of microplates.

Plate Depot, Plan View



Standard Height, Elevation View



Extended Height, Elevation View



## Specifications:

<b>Capacity:</b>	
Standard Height Stack	300 Standard Plates
"	90 Deep Well Plates
Extended Height Hotel	450 Standard Plates
"	140 Deep Well Plates
<b>Speed:</b>	
Rotary	60 Degrees/Sec
Index Time: 1 station	0.9 Sec
Index Time: add'l stations	0.6 Sec/Station
<b>Environment:</b>	
Temperature - Min	2 deg-C (36 deg-F)
Temperature - Max	40 deg-C (104 deg-F)
<b>Weight:</b>	
Standard Height Stacks	42 kg (92 Lb)
Extended Height Stacks	51 kg (112 Lb)
<b>Power:</b>	24 VDC, 2a Supplied In-Line Power Supply, 100-250 VAC
<b>Compliance:</b>	CE, FCC

The Plate Depot is accessed with Top-Grip-Portrait style robot gripper (TGP)



Printed Apr-2007